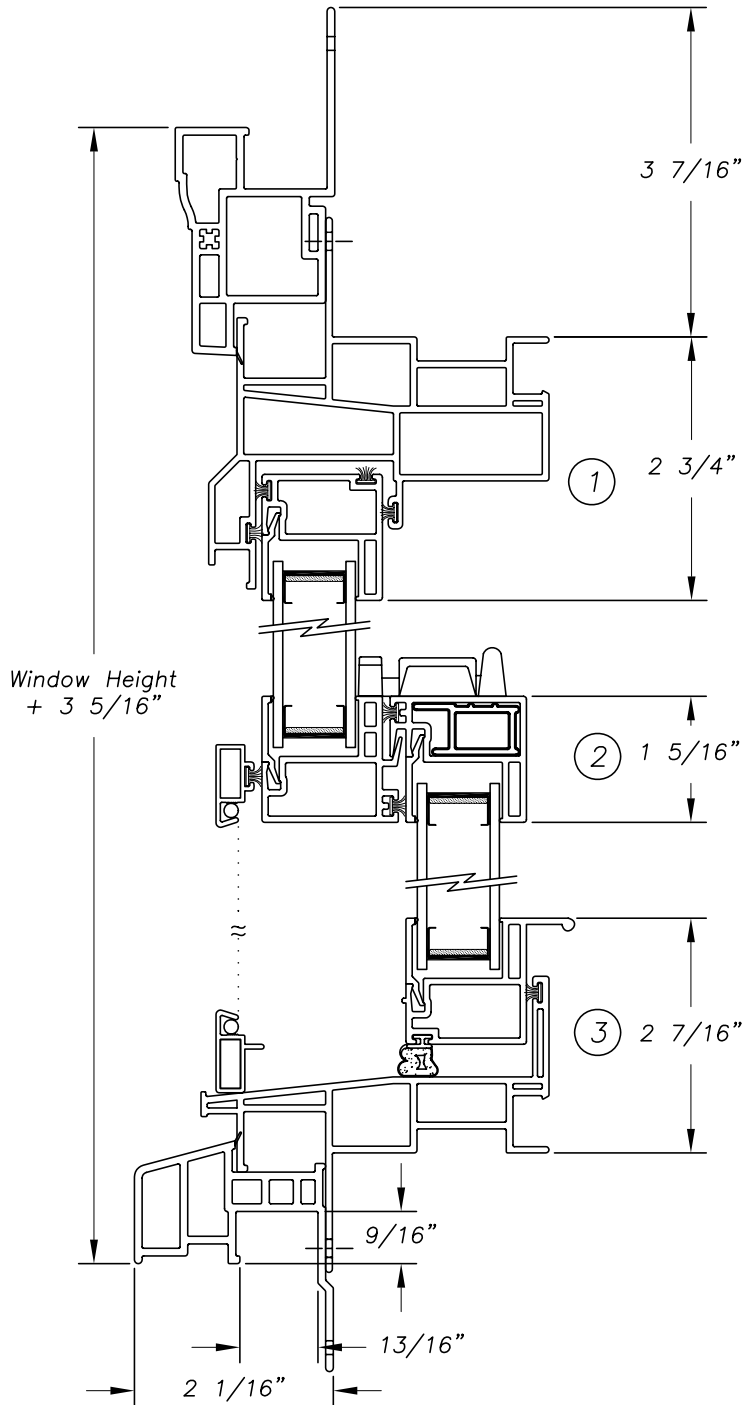
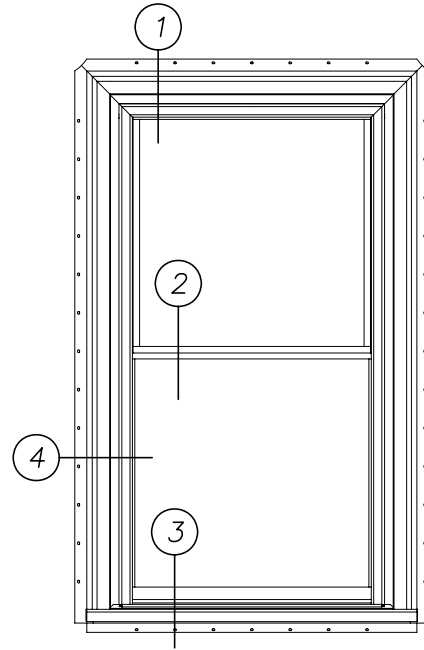


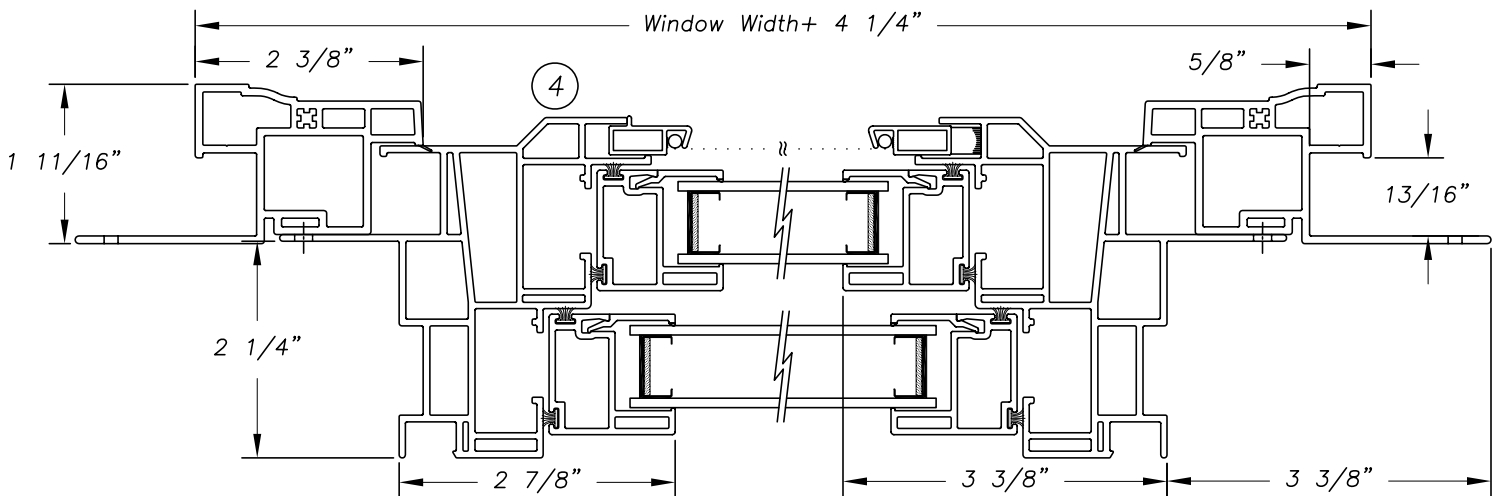
Harvey Industries, Inc.
 Vicon Single Hung
 W/ 908 Casing & Sill Nose
 (1/2 Scale)



Window Height
 + $3 \frac{5}{16}$ "



(1/20)



REV. 9/06

AS 368